

LOW IMPEDANCE

低阻抗品

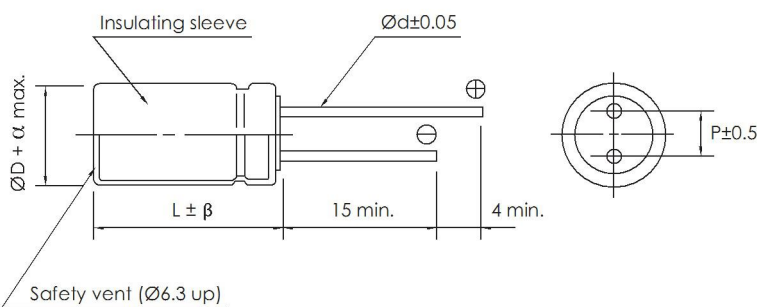
- Low impedance at high frequency
高頻低阻抗
- Ideally suited for use of switching power supplies
適用於開關電源
- Load life of 2000~3000 hours at 105°C
在 105°C 環境中負荷壽命 2000~3000 小時
- Comply with the RoHS directive
符合 RoHS 指令



SPECIFICATIONS 特性表

Items 項目	Characteristics 主要特性	
Operation Temperature Range 使用溫度範圍	-40 ~ +105°C	-25 ~ +105°C
Voltage Range 額定工作電壓範圍	6.3 ~ 100V	160 ~ 450V
Capacitance Range 靜電容量範圍	1 ~ 15000µF	22 ~ 330µF
Capacitance Tolerance 靜電容量允許偏差	±20% at 120Hz, 20°C	
Leakage Current 漏電流	Leakage current = 0.01CV or 3µA, whichever is greater (after 2 minutes application of rated voltage) 漏電流 = 0.01CV 或 3µA, 取較大值 (施加額定工作電壓 2 分鐘後)	Leakage current = 0.02CV + 15µA (after 5 minutes application of rated voltage) 漏電流 = 0.02CV + 15µA (施加額定工作電壓 5 分鐘後)
Dissipation Factor (tan δ) 損耗角正切	When nominal capacitance is over 1000µF, tan δ shall be added 0.02 to the listed value with increase of every 1000µF. 當標稱靜電容量大於 1000µF, 其標稱靜電容量每增加 1000µF, 損耗角正切增加 0.02. Measurement frequency 測試頻率: 120Hz, Temperature 溫度: 20°C	
Stability at Low Temperature 低溫特性	Measurement frequency 測試頻率: 120Hz	
	Rated Voltage (V) 額定工作電壓	6.3 ~ 16 25 ~ 100 160 ~ 250 350 ~ 450
Load Life 高溫負荷特性	After 3000 hours (Ø5~Ø8 products are for 2000 hours) application of the rated voltage at 105°C, they meet the characteristics listed below. 在 105°C 環境中施加額定工作電壓 3000 小時 (Ø5~Ø8 產品為 2000 小時) 後, 電容器的特性符合下表的要求。	
	Capacitance Change 靜電容量變化率	Within ±20% of initial measured value 初始值的±20%以內
Shelf Life 高溫貯存特性	Dissipation Factor 損耗角正切	≤200% of initial specified value 不大於規範值的 200%
	Leakage Current 漏電流	≤initial specified value 不大於規範值
Marking 標識	Printed with white colour on black sleeve (PVC) or printed with black colour on golden yellow sleeve (PET). 黑色膠管白字印刷 (PVC) 或金黃色膠管黑字印刷 (PET)。	

DRAWING (Unit: mm) 外形圖



ØD	5	6.3	8 (L≤11.5)	8 (L≥16)	10	13	16	18	22
P	2.0	2.5	3.5		5.0	7.5		10.0	
Ød	0.5		0.6		0.8				
β	1.5			2.0					
α	0.5					1.0			

FREQUENCY COEFFICIENT OF ALLOWABLE RIPPLE CURRENT 紋波電流頻率補償系數

Frequency 頻率	50Hz	120Hz	300Hz	1KHz	10KHz~
Coefficient 系數	1 ~ 47µF	0.75	1.00	1.35	2.0
	68 ~ 680µF	0.80	1.00	1.25	1.5
	1000 ~ 15000µF	0.85	1.00	1.10	1.13

Note: All design and specifications are for reference only and is subject to change without prior notice. If any doubt about safety for your application, please contact us immediately for technical assistance before purchase.

注: 以上所提供的設計及特性參數僅供參考, 任何修改不作預先通知。如果在使用上有疑問, 請在採購前與我們聯繫, 以便提供技術上的協助。



□ DIMENSIONS & MAXIMUM PERMISSIBLE RIPPLE CURRENT & IMPEDANCE 規格尺寸及最大允許紋波電流及阻抗值

WV Parameter 參數 μF		6.3 (0J)				10 (1A)			
		Case size ØD×L (mm) 尺寸	Impedance (Ω) max. 20°C, 100KHz 阻抗值	Ripple current (mA rms) 紋波電流		Case size ØD×L (mm) 尺寸	Impedance(Ω) max. 20°C, 100KHz 阻抗值	Ripple current (mA rms) 紋波電流	
				105°C, 120Hz	105°C, 100KHz			105°C, 120Hz	105°C, 100KHz
33	330					5 × 11	2.10	74	111
47	470	5 × 11	2.10	56	117	5 × 11	1.90	88	132
68	680	5 × 11	1.90	74	140	5 × 11	1.74	106	156
100	101	5 × 11	1.70	113	170	5 × 11	1.30	147	221
220	221	6.3 × 12	0.92	158	260	6.3 × 12	0.59	185	280
330	331	6.3 × 12	0.83	195	300	6.3 × 12	0.33	215	410
470	471	8 × 11.5	0.62	385	578	8 × 11.5 (10 × 12)	0.29 (0.25)	443 (465)	563 (630)
680	681	8 × 11.5	0.44	483	627	8 × 11.5	0.13	482	697
1000	102	8 × 11.5	0.36	505	645	8 × 16 (10 × 12)	0.10 (0.098)	816 (820)	928 (935)
1200	122	8 × 16	0.18	525	685	10 × 16	0.095	835	969
1500	152	10 × 12 (10 × 16)	0.16 (0.16)	787 (787)	964 (964)	10 × 20	0.092	1029	1208
2200	222	10 × 20	0.095	1002	1195	10 × 20	0.08	1006	1200
3300	332	10 × 20	0.093	1100	1225	(16 × 20)	(0.063)	(1425)	(1645)
4700	472					16 × 25	0.060	1971	2262
6800	682	(16 × 25)	(0.065)	(1776)	(2076)	16 × 31	0.048	2390	2650
10000	103	16 × 31	0.050	2169	2404	18 × 31	0.035	2590	2730
15000	153	18 × 31	0.040	2380	2850				

WV Parameter 參數 μF		16 (1C)				25 (1E)			
		Case size ØD×L (mm) 尺寸	Impedance (Ω) max. 20°C, 100KHz 阻抗值	Ripple current (mA rms) 紋波電流		Case size ØD×L (mm) 尺寸	Impedance (Ω) max. 20°C, 100KHz 阻抗值	Ripple current (mA rms) 紋波電流	
				105°C, 120Hz	105°C, 100KHz			105°C, 120Hz	105°C, 100KHz
22	220	5 × 11	2	66	132	5 × 11	1.90	65	130
33	330	5 × 11	1.8	81	163	5 × 11	1.60	78	156
47	470	5 × 11	1.4	97	194	5 × 11	1.30	106	198
68	580	5 × 11	0.93	134	201	6.3 × 12	0.82	152	228
100	101	6.3 × 12	0.85	163	244	6.3 × 12	0.71	198	265
220	221	6.3 × 12 (8 × 11.5)	0.50 (0.45)	320 (358)	400 (430)	6.3 × 12 (8 × 11.5)	0.46 (0.38)	305 (356)	440 (480)
330	331	8 × 11.5	0.41	425	565	8 × 11.5 (10 × 12)	0.36 (0.25)	434 (645)	656 (840)
470	471	6.3 × 15 (8 × 11.5) (10 × 12)	0.38 (0.35) (0.30)	465 (503) (600)	660 (707) (845)	8 × 16 (10 × 12)	0.23 (0.20)	600 (700)	949 (970)
680	681	8 × 16 (10 × 12)	0.26 (0.24)	768 (815)	1024 (1038)	10 × 16	0.10	924	1387
1000	102	10 × 16 (10 × 20)	0.12 (0.14)	982 (1000)	1126 (1207)	10 × 16 (10 × 20)	0.09 (0.068)	1179 (1179)	1386 (1386)
1200	122	10 × 20	0.15	1035	1268				
1500	152	10 × 20	0.096	1100	1270				
2200	222					(16 × 25)	(0.055)	(1567)	(1839)
3300	332					16 × 31 (18 × 25)	0.050 (0.052)	2003 (1745)	2391 (1992)
4700	472	16 × 25	0.050	2173	2403	16 × 30 16 × 35 18 × 25	0.04 0.04 0.03	2420 2420 2650	2840 2840 3050
6800	682	16 × 35	0.040	2440	2797	18 × 35	0.035	2840	3250
10000	103	18 × 35	0.038	2850	3230				

Note: All design and specifications are for reference only and is subject to change without prior notice. If any doubt about safety for your application, please contact us immediately for technical assistance before purchase.

注：以上所提供的設計及特性參數僅供參考，任何修改不作預先通知。如果在使用上有疑問，請在採購前與我們聯繫，以便提供技術上的協助。



□ DIMENSIONS & MAXIMUM PERMISSIBLE RIPPLE CURRENT & IMPEDANCE 規格尺寸及最大允許紋波電流及阻抗值

WV Parameter 參數 μF		35 (1V)				50 (1H)			
		Case size ØD×L (mm) 尺寸	Impedance (Ω) max. 20°C, 100KHz 阻抗值	Ripple current (mA rms) 紋波電流		Case size ØD×L (mm) 尺寸	Impedance (Ω) max. 20°C, 100KHz 阻抗值	Ripple current (mA rms) 紋波電流	
				105°C, 120Hz	105°C, 100KHz			105°C, 120Hz	105°C, 100KHz
1	010					5 × 11	4.2	16	32
2.2	2R2					5 × 11	4.0	18	36
3.3	3R3					5 × 11	3.8	20	40
4.7	4R7					5 × 11	2.5	29	58
6.8	6R8					5 × 11	2.2	38	76
10	100	5 × 11	1.80	55	100	5 × 11	2.0	52	104
22	220	5 × 11 (6.3 × 12)	1.50 (1.40)	67 (75)	134 (145)	5 × 11 (6.3 × 12)	1.6 (1.0)	68 (76)	136 (150)
33	330	5 × 11	1.20	81	163	6.3 × 12	0.8	85	175
47	470	6.3 × 12	1.10	114	229	6.3 × 12	0.71	125	225
68	680	6.3 × 12	0.85	137	273	8 × 11.5	0.65	215	385
100	101	6.3 × 12 (8 × 11.5)	0.68 (0.50)	205 (273)	340 (409)	8 × 11.5	0.4	380	480
220	221	8 × 11.5 (8 × 16)	0.27 (0.25)	484 (510)	725 (750)	8 × 16 (10 × 12)	0.25 (0.20)	580 (600)	760 (805)
330	331	8 × 16	0.16	540	795	10 × 20	0.10	900	1045
470	470	10 × 16 8 × 16	0.12 0.14	810 580	1020 825	10 × 20 (10 × 25)	0.09 (0.09)	1000 (1050)	1020 (1120)
680	681	10 × 25	0.072	1089	1433				
1000	102					16 × 25	0.065	1460	1700
1500	152					16 × 31	0.050	1710	1990
2200	222	16 × 25 (18 × 35)	0.055 (0.053)	1759 (1985)	2069 (2338)	16 × 35	0.045	2076	2326
2400	242					18 × 30	0.049	2365	2565
3300	332	16 × 35 (18 × 25)	0.045 (0.050)	2300 (2165)	2520 (2420)	18 × 35	0.04	2500	2700
4700	472	18 × 35	0.038	2450	2875				

WV Parameter 參數 μF		63 (1J)				100 (2A)			
		Case size ØD×L (mm) 尺寸	Impedance (Ω) max. 20°C, 100KHz 阻抗值	Ripple current (mA rms) 紋波電流		Case size ØD×L (mm) 尺寸	Impedance (Ω) max. 20°C, 100KHz 阻抗值	Ripple current (mA rms) 紋波電流	
				105°C, 120Hz	105°C, 100KHz			105°C, 120Hz	105°C, 100KHz
1	010					5 × 11	7	47	66
2.2	2R2					5 × 11	6	66	72
3.3	3R3					5 × 11	5	68	78
4.7	4R7	5 × 11	2.5	45	71	5 × 11	4	72	88
10	100	5 × 11	1.5	50	81	6.3 × 12	1.2	100	180
22	220	5 × 11	1.2	110	165	8 × 11.5	0.66	196	282
33	330	6.3 × 12	0.85	135	210	8 × 11.5	0.5	310	380
47	470	8 × 11.5	0.56	210	330	8 × 16 (10 × 12)	0.32 (0.25)	405 (460)	500 (630)
68	680	8 × 11.5	0.56	210	330	10 × 16	0.25	515	780
100	101	8 × 16 (10 × 16)	0.50 (0.40)	370 (405)	581 (625)	10 × 20	0.16	650	890
220	221	10 × 20	0.27	710	1000				
330	331					16 × 25	0.09	1200	1440
470	471					16 × 31	0.06	1560	1790
680	681	16 × 25	0.08	1215	1450	18 × 35	0.055	1650	1850
1000	102	16 × 25 (16 × 31)	0.06 (0.06)	1295 (1350)	1525 (1600)	18 × 40	0.051	1700	2040
2200	222	18 × 40	0.045	1500	1800				

Note: All design and specifications are for reference only and is subject to change without prior notice. If any doubt about safety for your application, please contact us immediately for technical assistance before purchase.

注：以上所提供的設計及特性參數僅供參考，任何修改不作預先通知。如果在使用上有疑問，請在採購前與我們聯繫，以便提供技術上的協助。



□ DIMENSIONS & MAXIMUM PERMISSIBLE RIPPLE CURRENT & IMPEDANCE 規格尺寸及最大允許紋波電流及阻抗值

WV Parameter 參數 μF		160 (2C)				200 (2D)			
		Case size ØD×L (mm) 尺寸	Impedance (Ω) max. 20°C, 100KHz 阻抗值	Ripple current (mA rms) 紋波電流		Case size ØD×L (mm) 尺寸	Impedance (Ω) max. 20°C, 100KHz 阻抗值	Ripple current (mA rms) 紋波電流	
				105°C, 120Hz	105°C, 100KHz			105°C, 120Hz	105°C, 100KHz
10	100					8 × 11.5 (10 × 12)	7.80 (6.20)	225 (240)	295 (320)
22	220	10 × 20	1.30	315	440	10 × 16 (10 × 20)	4.30 (4.20)	285 (300)	365 (380)
33	330	10 × 20	1.30	405	565				
100	101	16 × 25 (16 × 31)	0.27 (0.25)	920 (925)	1280 (1290)				
150	151	16 × 31	0.22	930	1300	16 × 31 (18 × 25)	0.80 (0.72)	745 (730)	995 (985)
220	221	16 × 31	0.22	930	1300	18 × 31	0.45	750	1000
330	331	16 × 35	0.22	1580	1700	18 × 35 (22 × 35)	0.38 (0.28)	760 (795)	1050 (1135)

WV Parameter 參數 μF		250 (2E)				350 (2V)			
		Case size ØD×L (mm) 尺寸	Impedance (Ω) max. 20°C, 100KHz 阻抗值	Ripple current (mA rms) 紋波電流		Case size ØD×L (mm) 尺寸	Impedance (Ω) max. 20°C, 100KHz 阻抗值	Ripple current (mA rms) 紋波電流	
				105°C, 120Hz	105°C, 100KHz			105°C, 120Hz	105°C, 100KHz
4.7	4R7	8 × 11.5	7.00	90	145	8 × 11.5 (10 × 12)	6.5 (6.2)	115 (140)	460 (195)
6.8	6R8	10 × 12	5.80	115	180	10 × 12 (10 × 16)	5.4 (5.0)	145 (150)	210 (220)
10	100	10 × 16	4.50	150	245	10 × 16 (10 × 20)	4.5 (4.2)	160 (175)	230 (275)
22	220	10 × 20	3.20	265	360				
33	330					16 × 20	(3.0)	(465)	(645)
47	470					16 × 25	2.8	550	705
68	680	16 × 25	1.20	480	655	16 × 31	2.0	625	825
100	101	16 × 31 (18 × 31)	0.65 (0.40)	505 (550)	690 (750)	16 × 35 (18 × 31)	1.2 (0.7)	700 (705)	905 (960)
150	151	18 × 35 (22 × 35)	0.30 (0.24)	600 (630)	845 (900)	18 × 35	0.6	1020	1050
220	221	22 × 35	0.25	750	1000				

WV Parameter 參數 μF		400 (2G)				450 (2W)			
		Case size ØD×L (mm) 尺寸	Impedance (Ω) max. 20°C, 100KHz 阻抗值	Ripple current (mA rms) 紋波電流		Case size ØD×L (mm) 尺寸	Impedance (Ω) max. 20°C, 100KHz 阻抗值	Ripple current (mA rms) 紋波電流	
				105°C, 120Hz	105°C, 100KHz			105°C, 120Hz	105°C, 100KHz
2.2	2R2	6.3 × 12 (8 × 11.5)	8.8 (8.0)	80 (95)	110 (130)	8 × 11.5	7.0	95	138
3.3	3R3	8 × 11.5	8.0	105	140	8 × 11.5	6.0	105	140
4.7	4R7	8 × 11.5 (10 × 12)	8.0 (6.0)	130 (135)	175 (210)	10 × 12	5.6	150	200
6.8	6R8	10 × 12 (10 × 16)	5.0 (4.5)	150 (160)	220 (230)	10 × 16	6.5	205	265
10	100	10 × 16 (10 × 20)	3.6 (3.6)	195 (205)	265 (285)	10 × 20	9.0	235	320
33	330	16 × 20 (16 × 25)	3.4 (3.0)	405 (465)	525 (645)	16 × 31	2.4	385	710
47	470	16 × 25 (16 × 31)	2.8 (2.6)	550 (585)	705 (775)	16 × 35 (18 × 26)	1.8 (1.2)	515 (585)	755 (800)
68	680	16 × 31	2.0	625	825	18 × 31	1.0	620	845
100	101	18 × 31 (18 × 35)	1.2 (0.7)	700 (705)	905 (960)	18 × 35	0.64	380	520
150	151	18 × 40	0.6	1020	1050				

Note: All design and specifications are for reference only and is subject to change without prior notice. If any doubt about safety for your application, please contact us immediately for technical assistance before purchase.

注：以上所提供的設計及特性參數僅供參考，任何修改不作預先通知。如果在使用上有疑問，請在採購前與我們聯繫，以便提供技術上的協助。

